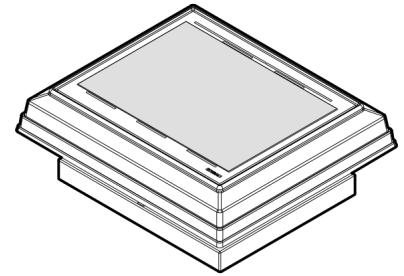


CURB MOUNT SOLAR POWERED SUPER CYCLONE



Powerful and easy to install, these ventilators supplement air conditioning by automatically removing the blanket of hot, trapped air from attics without the need of AC power.

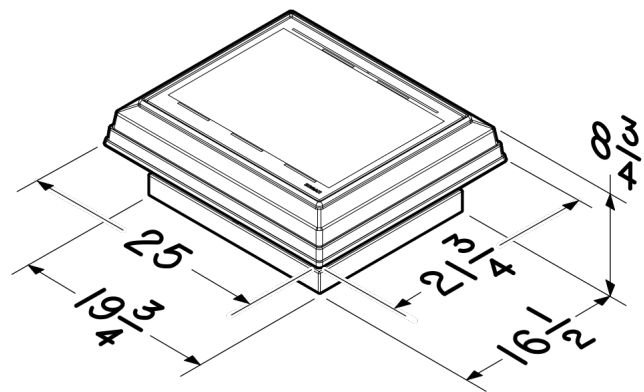
FEATURES

- High-efficiency 20 Watt photovoltaic module using silicon nitride multicrystalline silicon cells with high transmission tempered glass withstands up to 1" diameter hail and operates from dawn to dusk even in hazy conditions.
- Precision balanced 12" diameter, one piece, aluminum, 5 blade fan with optimum pitch for maximum air flow and minimum sound.
- 0.100" thick acrylic capped ABS plastic dome and base provide ultraviolet protection and superior durability. Available in black and brown.
- Heavy gauge corrosion resistant stainless steel screen with 0.125" square openings provide maximum protection from animals without impeding airflow.
- Whisper quiet, direct current, variable voltage (1-38 VDC) motor with permanently lubricated sealed ball bearings, hardened stainless steel shaft, zinc plated steel motor housing, dynamically balanced for superior performance.
- 16 AWG stainless steel brackets and stainless steel hardware provide sound construction and excellent corrosion resistance.
- Mounts easily between rafters.
- Can replace existing powered attic ventilators.

TYPICAL SPECIFICATION

Self Flashed Solar Powered Attic Ventilator shall be SDF-CM20.
Ventilator to be rated for attics up to 1600 square feet.
Ventilator shall mount easily between rafters or wall studs.
Solar panel to be rated at 20 watts and have high transmission, tempered glass.
Motor shall be direct current (DC), variable voltage, sealed, permanently lubricated, and corrosion resistant.
Fan blade to be metal, balanced, and corrosion resistant. Dome and base must be constructed of ultraviolet resistant plastic.
Brackets, hardware and screen shall be corrosion resistant stainless steel.

SPECIFICATIONS



REFERENCE	QTY.	REMARKS	Project	
			Location	
			Architect	
			Engineer	
			Contractor	
			Submitted by	Date



Solar Dynamics

*Super Cyclone
Solar Powered Attic Fans*